

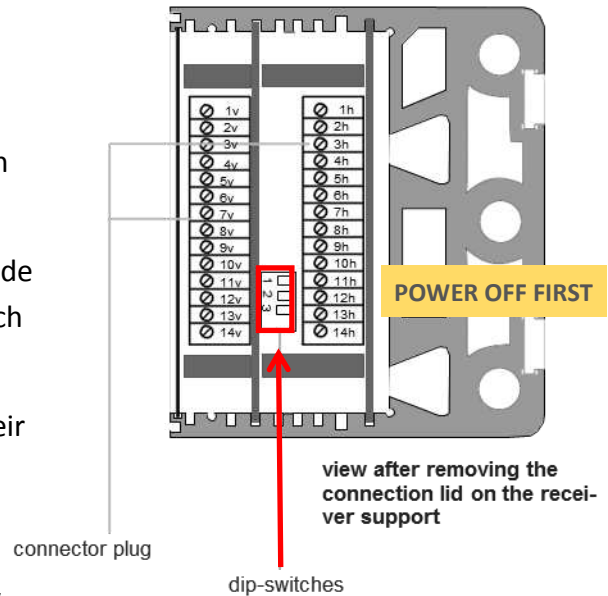
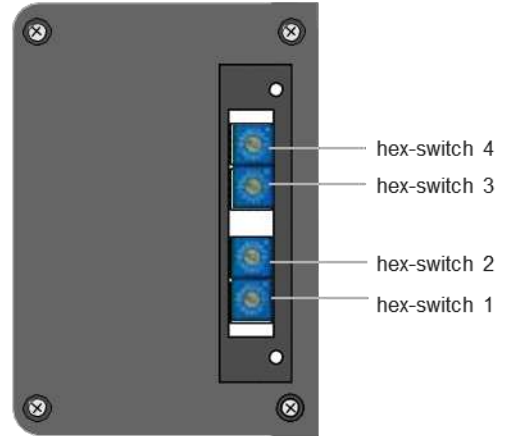
# Make Receiver Settings The Same

After changing the AKAS Receivers there are switch settings that must be set to match the removed unit so the AKAS will function correctly.

1. All Power must be completely removed before continuing to the next step.
2. All AKAS models with the F designation have a small access panel on the right side of the receiver end cap. Remove these panels on both units.
3. Starting at the bottom locate the small arrow pointing to the setting either a number or letter. Set all the corresponding switches in the new receiver exactly like the removed non functioning unit.
4. Verify the settings match and replace the covers.
5. Remove the black plastic caps of both receivers.
6. Unplug any connectors.
7. Using a light look down into the top of the receiver to locate the DIP switches. Each switch has ON printed on it.
8. Making sure there is no power applied, use a small blade screw driver to make the newly installed receiver match the settings of the removed receiver.
9. Reinstall any previously unplugged connectors into their mating colored connector plugs.
10. Reinstall the top cap on the newly installed AKAS.
11. Verify the alignment is correct and adjust as necessary.

The rotary hex switch settings are only on F models

view after removing the lid on the receiver



The DIP switch settings apply to all AKAS models



in partnership with

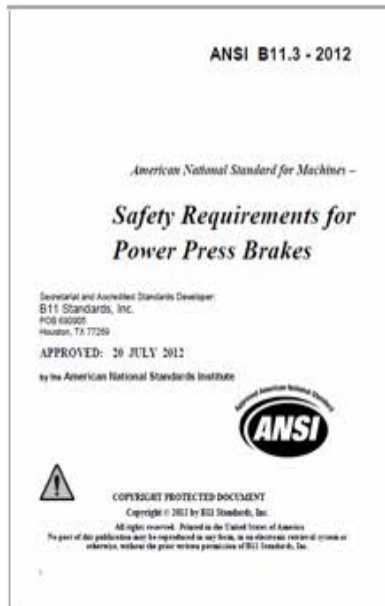
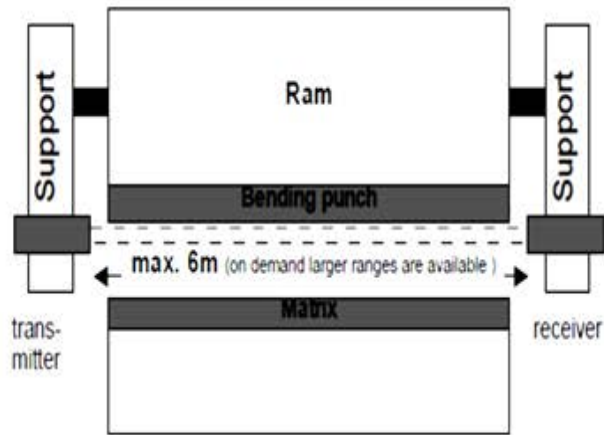


If your AKAS system isn't working correctly or need a service visit or additional training, we can provide those services. We are factory trained. Our products and services conform to OSHA requirements and ANSI B11.3 standards. We are the only authorized Fieessler AKAS repair facility outside of Germany supporting North and South America.

**Call us to learn how to send damaged units in for repair.**

**Services Offered**

- Emergency quick turn-around repair service
- AKAS rentals & lease units available during repairs
- Onsite service calls and AKAS Laser alignments
- Magnetic scale service, replacement, tune-up
- Traversing screw maintenance
- Laser lens replacement parts in stock
- Faulty control panel key switch repairs
- Operation and maintenance training, w/manuals
- Complete overhauls, only 100% Fieessler parts used
- Mechanical collision damage repair exchanges



**SERVICE RATES**

1/2 day minimum	\$500
Full 8hr. day	\$900
Hourly overage	\$125
Travel Charges	\$25hr. drive time
	+ \$0.575 mile to & from

Lodging if required \$150 nightly

**CONTACT: Andrew Litton**  
**800-901-1193 press #3**  
**andrew@pressbrakesafety.com**